

# #60226 SERIES FOLDABLE LCD ARM USER GUIDE

## Recommended load capacity

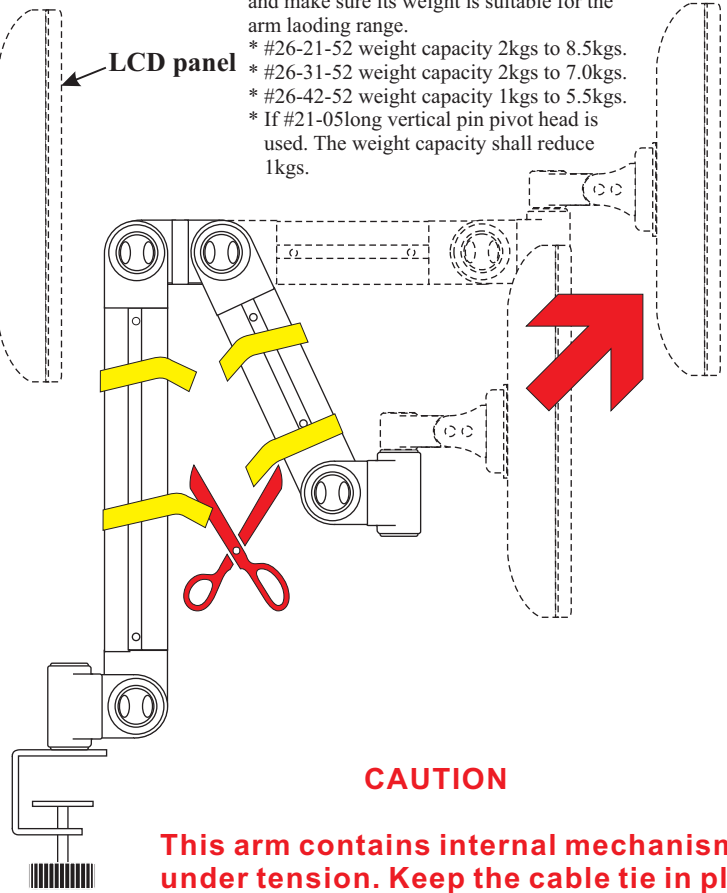
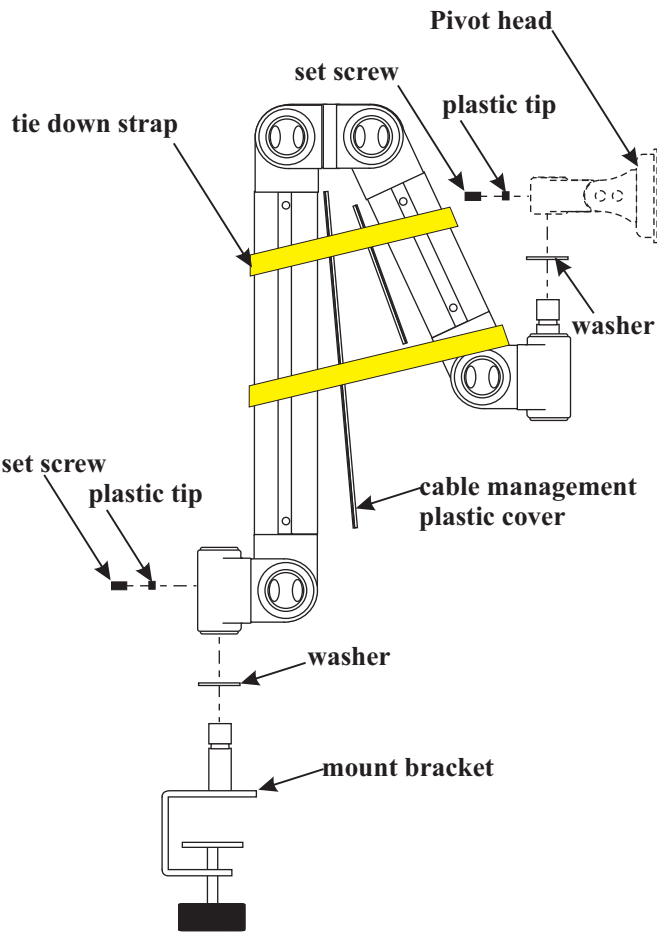
Please check the weight of your LCD panel and make sure its weight is suitable for the arm loading range.

\* #26-21-52 weight capacity 2kgs to 8.5kgs.

\* #26-31-52 weight capacity 2kgs to 7.0kgs.

\* #26-42-52 weight capacity 1kgs to 5.5kgs.

\* If #21-05 long vertical pin pivot head is used. The weight capacity shall reduce 1kgs.



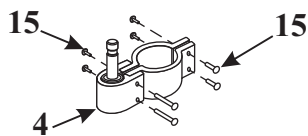
## CAUTION

**This arm contains internal mechanisms under tension. Keep the cable tie in place until arm is well installed on its mount and the device is well attached to the arm to avoid serious injury.**

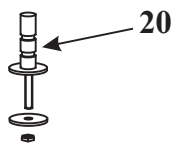
#25-25 Stationary base



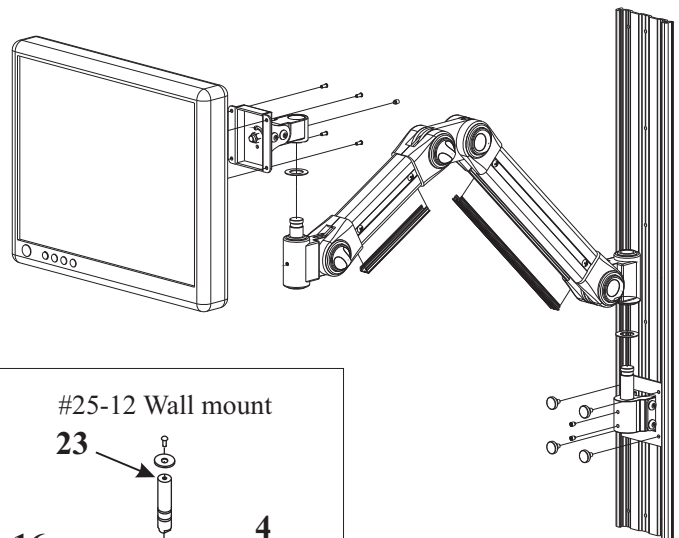
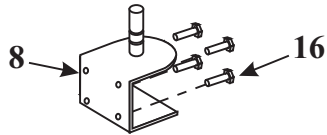
#25-40 Pole clamp



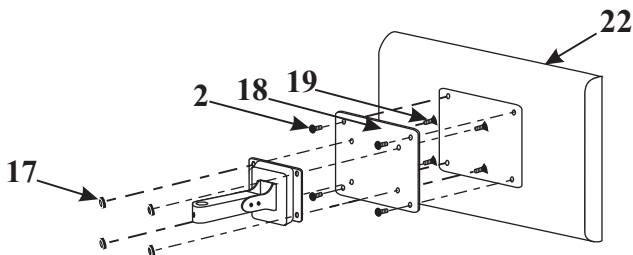
#25-22 Grommet mount



#25-01 2 in 1 mount



VESA 75mm to VESA 100mm conversion plate installation guide



#25-12 Wall mount

